



Regional Building Department
830 N Main St Suite 100
Pueblo CO 81003
719-543-0002 Fax 719-543-0062
www.prbd.com

POLE BARN BUILDING GUIDE

The attached Building Guide was created by the Colorado Chapter of the ICC Standardization Committee, and may be used without the need for any additional engineering, where:

- the barn is rectangular and no larger than 40'L X 32'W X 12'H maximum
- rectangular shaped barns maintain a minimum 5:4 aspect ratio (i.e. 40' X 32')
- the minimum requirement of 8' of wall on either side of *any* openings on the end wall to allow for required wall bracing
- post spacing is 8' on center maximum.
- no changes are proposed to the minimum requirements shown in this guide
- no soffit and eave overhangs are proposed for the barn

POLE BARN PLAN SUBMITTAL REQUIREMENTS

Additional details may be required for plan review depending upon the full scope of work. Documentation showing compliance with the (IECC) International Energy Conservation Code is also required for any heated structures.

1. A completed permit application signed by the applicant.
2. SITE PLAN, (2) for permanent record and field inspection.
 - Must show the location of all proposed construction in relation to property lines and any other structures currently on the property, and the proposed driveway location.
3. Clarify whether any utilities (gas, water, heating, electrical) are to be included with this permit.
4. A COMPLETED POLE BARN BUILDING GUIDE –See Attached



Building Guide

Colorado Chapter of the International Code Council

Pole Barn Construction

How to Use this Guide

Check with your jurisdiction regarding type of submittal (paper or electronic) and additional requirements.

- 1. Complete this Building Guide** by filling in the blanks on all pages, and indicating which construction details will be used.
- 2. Provide Plot Plans** (site plan) showing dimensions of your project or addition and its relationship to existing buildings or structures on the property and the distance to existing property lines drawn to scale.

3. Fill out a Building Permit Application.

The majority of permit applications are processed with little delay. The submitted documents will help determine if the project is in compliance with building safety codes, zoning ordinances and other applicable laws.

The Colorado Chapter of the International Code Council is a professional organization seeking to promote the public health, safety and welfare to building construction. We appreciate your feedback and suggestions. To obtain a master copy of this building guide, please write to the Colorado Chapter of the International Code Council, P.O. Box 961, Arvada, CO 80001.

<http://www.coloradochaptericc.org>



This handout was developed by the Colorado Chapter of the International Code Council as a basic plan submittal under the 2021 International Residential Code. It is not intended to cover all circumstances. Check with your Department of Building Safety for additional requirements.

Pole Barn Construction

Plan Requirements

Provide all of the details listed below on your plans. Complete sets of plans and site plan must be submitted at time of application.

Floor Plan

1. Provide plan view of pole location, spacing, dimensions of the building.
2. Framing plan should show direction, size, and spacing of roof system, purlins, girts, beams and header sizes.
3. Indicate the locations of all window and door openings.
4. Indicate the locations of the poles, and provide dimensions between the poles.
5. Maximum width is 32', max length 40', maintaining at least a 5:3 length to width ratio.

Section Elevation

1. Front, rear and both side views to scale (identify scale).
2. Finished grade line at building.
3. Label the depths to the bottom of the poles. Note that piers must be at least 48 inches in depth, or the plan must be engineered.
4. Label the pole size and type of material. Wood poles embedded in earth or concrete must be treated wood, labeled for ground contact.
5. Label the sidewall girt size, type of material, and spacing. Note that the bottom girt must be treated wood or naturally durable material if located within 6 inches of grade.
6. Label the beam size and type of material above the poles. Detail the method of fastening the beam to the poles.

7. Label the rafter size and spacing.(if engineered trusses are to be used, provide engineered drawings).
8. Label the rafter tie (or ceiling joist) size and spacing. (Not required for engineered trusses).
9. Label the roof purlin size and spacing, if applicable.
10. Label exterior wall finish material.
11. Label the roof covering material.

Inspections Required

1. Plans and cards need to be on-site at time of all inspections.
2. Setback, Hole Inspection and Hold down cleats are attached to posts: After holes are dug but before concrete pads are poured.
3. After the pads are poured verify concrete thickness
4. Framing Inspection: After the frame is complete and prior to roof coverings or wall coverings. Framing will be reinspected if electrical is added after initial inspection.
5. Final Inspection: After all work is completed, such as insulation, concrete slab, electrical, plumbing, heating, and/or interior wall coverings
6. Additional inspections may be required by local jurisdictions.

Where allowed by the Jurisdiction, this pole barn guide may be used without the need for any additional engineering, where all of the following comply:

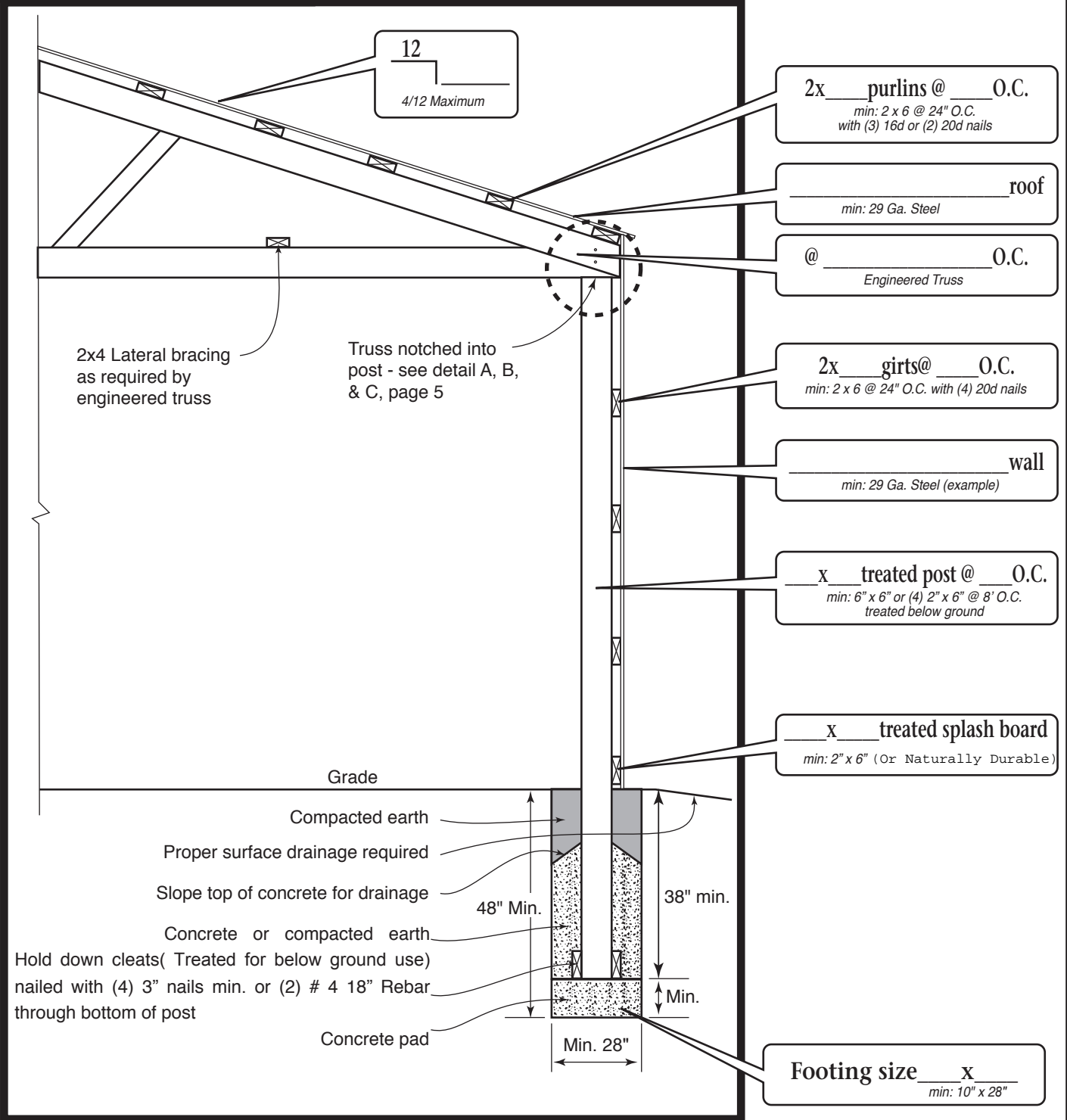
- The barn is no larger than 53'-4" L x 32'W x 12' H side walls
- Rectangular shaped barns must maintain a minimum 5:3 ratio
- The Jurisdictional requirements and barn location do not exceed the pole barn guides 30 PSF ground snow load or 115 mph Ultimate wind load.

This handout was developed by the Colorado Chapter of the International Code Council as a basic plan submittal under the 2021 International Residential Code. It is not intended to cover all circumstances. Check with your Department of Building Safety for additional requirements.

Pole Barn Construction

End Elevation

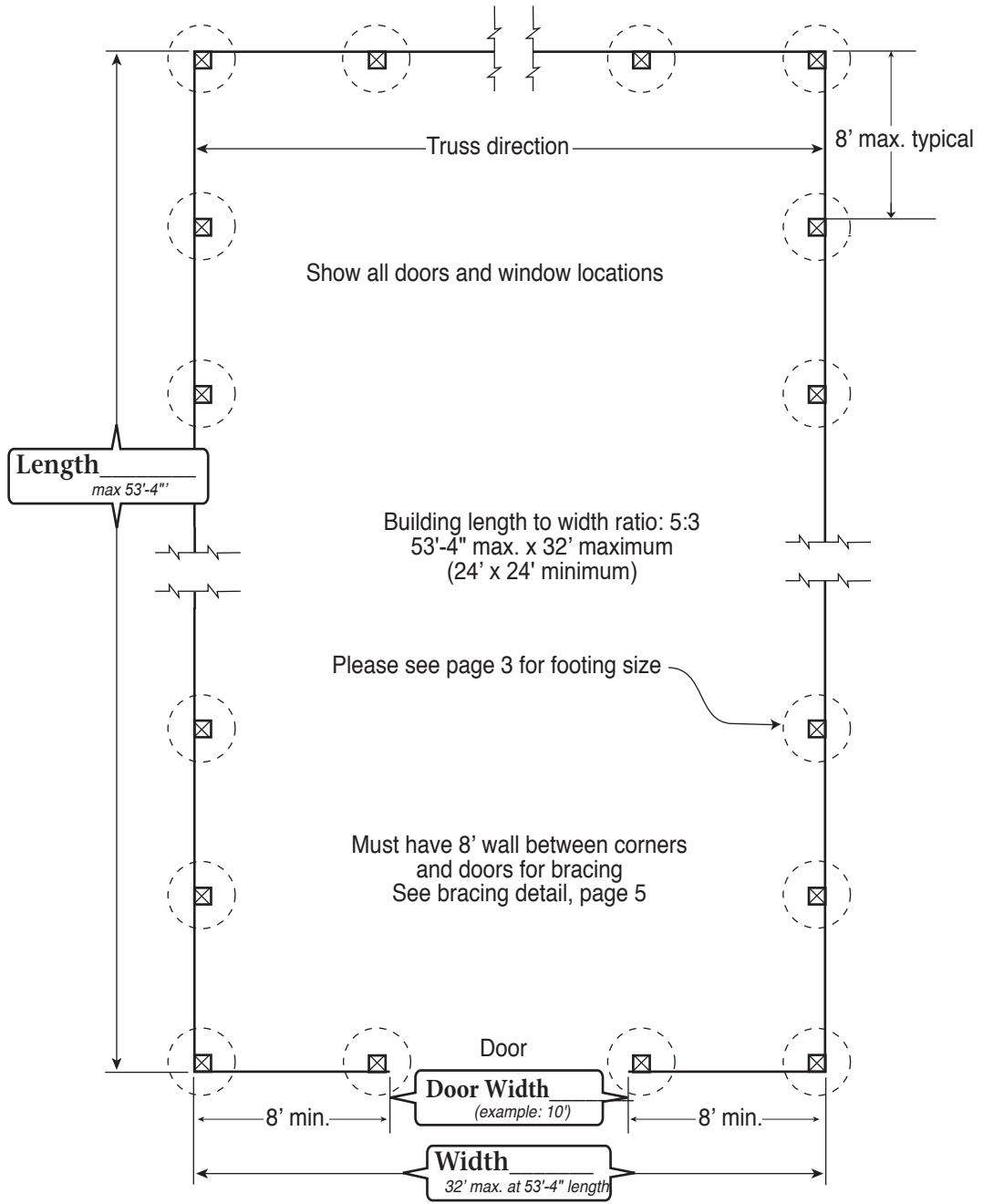
Note: Purlins must be on edge with roll blocking if trusses are more than 4' o.c.



This handout was developed by the Colorado Chapter of the International Code Council as a basic plan submittal under the 2021 International Residential Code. It is not intended to cover all circumstances. Check with your Department of Building Safety for additional requirements.

Pole Barn Construction

Floor plan

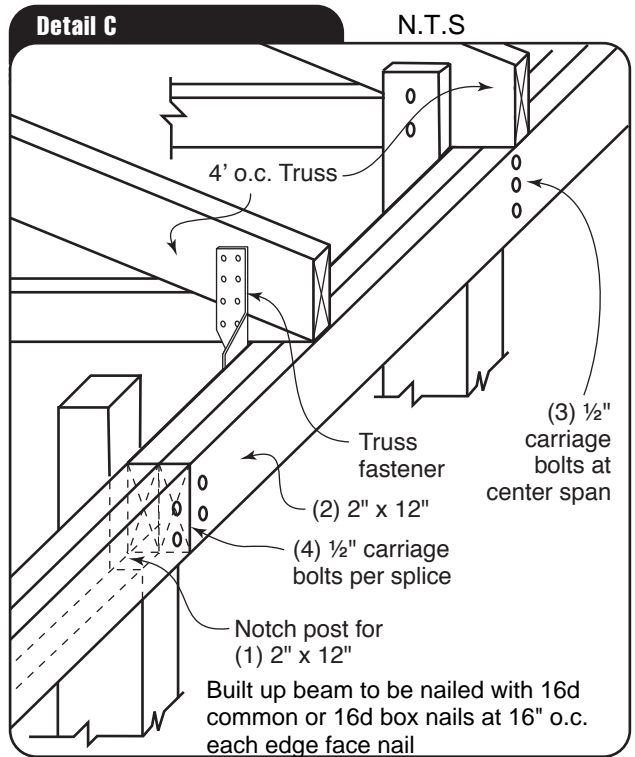
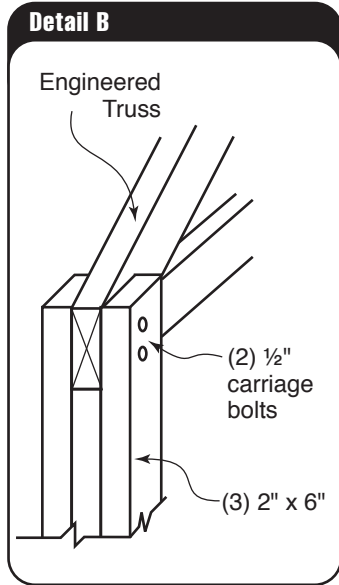
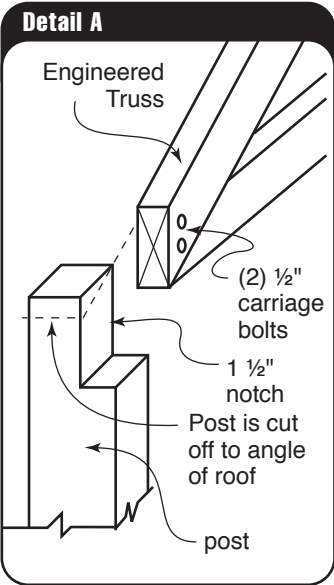
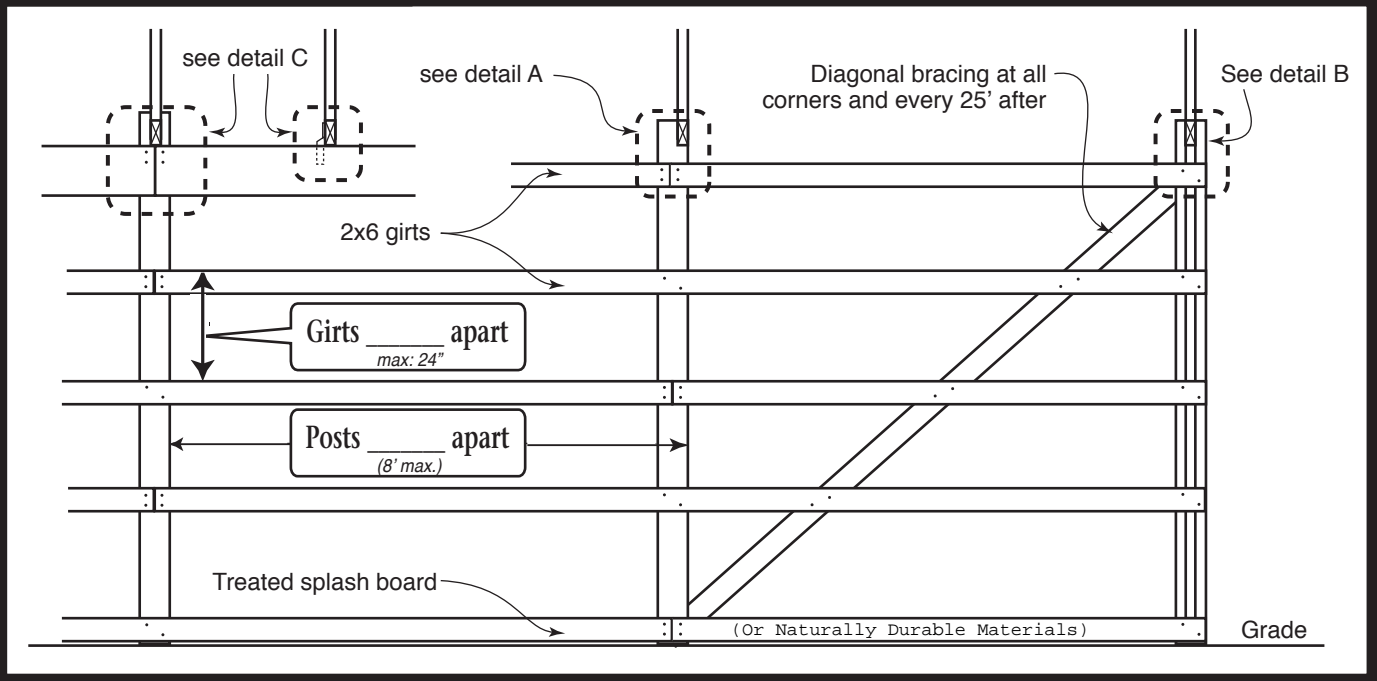


This handout was developed by the Colorado Chapter of the International Code Council as a basic plan submittal under the 2021 International Residential Code. It is not intended to cover all circumstances. Check with your Department of Building Safety for additional requirements.



Pole Barn Construction

Side Elevation



This handout was developed by the Colorado Chapter of the International Code Council as a basic plan submittal under the 2021 International Residential Code. It is not intended to cover all circumstances. Check with your Department of Building Safety for additional requirements.

